

# SDDA Series

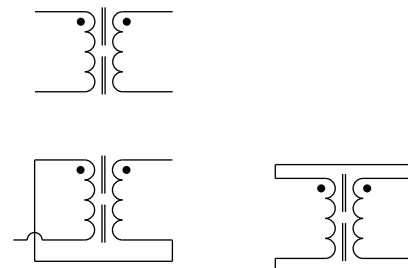
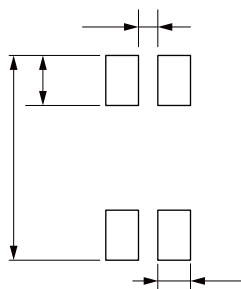
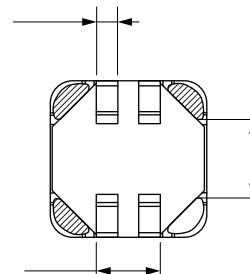
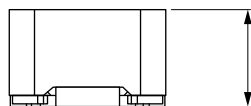
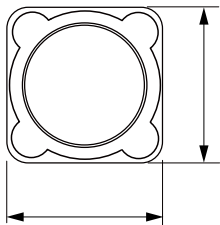
## FEATURES

- 
- 
- Ultra low buzz noise, due to composite construction.
- 
- AEC-Q200 qualified
- Operating temperature: -50 to +150 °C (including self-temperature rise)
- Quantity: 300PCS



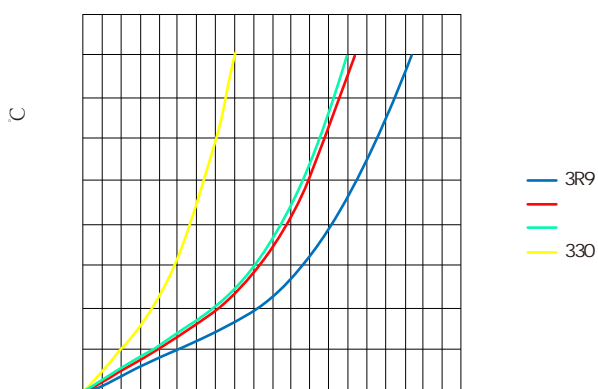
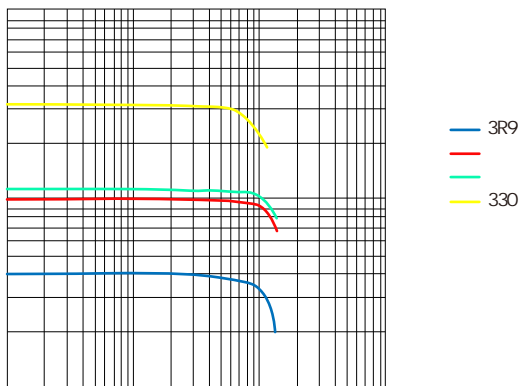
## APPLICATION

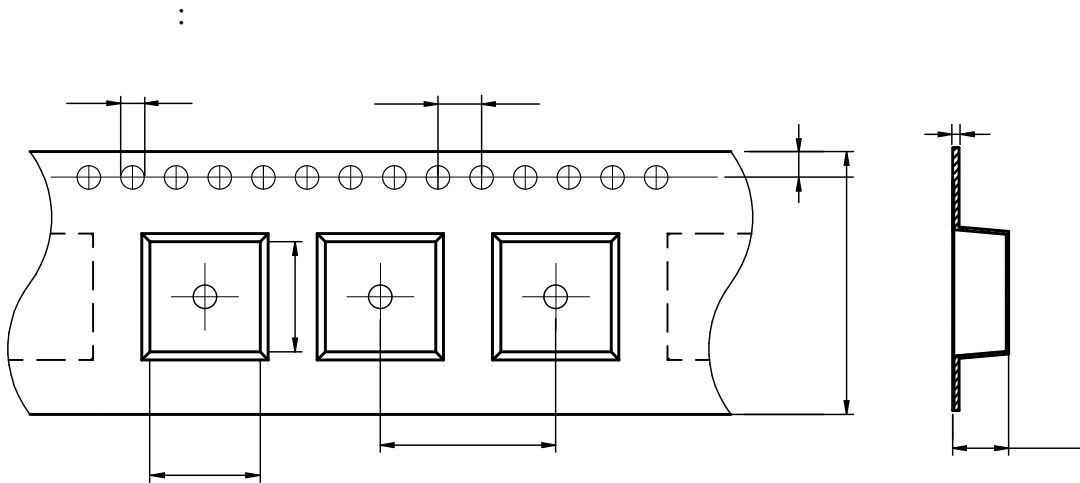
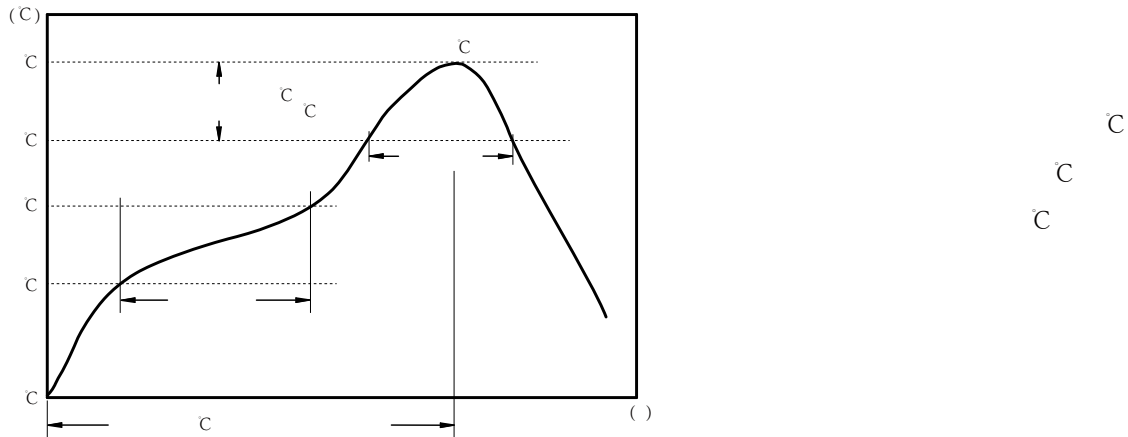
- Headlamps, tail lamps and interior lighting
- 
- Doors, window lift and seat control
- 
- 
- In-Vehicle Infotainment and navigation
- 



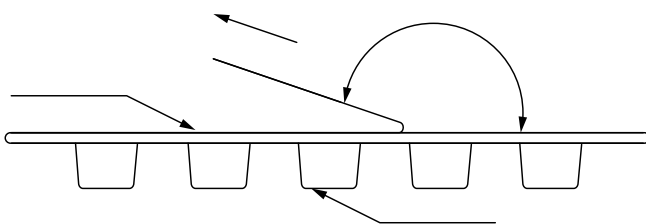
	( $\mu\text{H}$ )		(A)	Saturation (A)	Saturation (A)	(m $\Omega$ )	
SDDA1210-3R9M	3.9			17.6	12.5		DC 500V/1Sec
SDDA1210-100M			5.6	10.6			DC 500V/1Sec
SDDA1210-120M			5.6	10.6			DC 500V/1Sec
SDDA1210-330M	33.0		3.1	6.2		75	DC 500V/1Sec

△

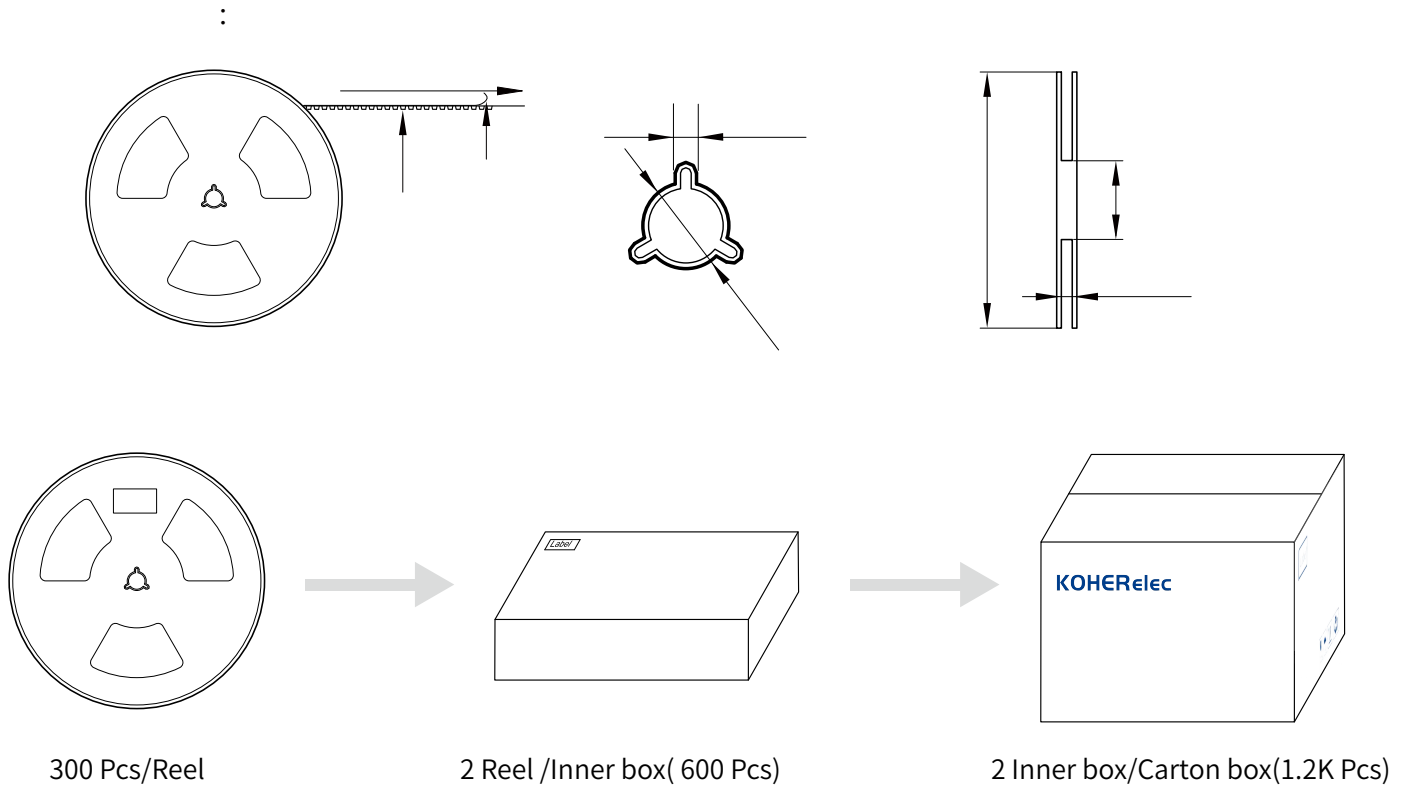




SDDA1210	12.5±0.1	12.5±0.1	1.5±0.1	4.0±0.1	20.0±0.1	24.0±0.3	11.05±0.1	1.75±0.1	0.50±0.05
----------	----------	----------	---------	---------	----------	----------	-----------	----------	-----------



The peel force of top cover tape shall be between 0.1 to 1.3 N



:

- 
- 
- 
- 
- 
- 
- 
- 
-